

FAUCET DESCRIPTION

- Fixed mount vandal resistant showerhead
- Chrome plated metallic spray face and shell
- Brass swivel ball assembly
- Single-function spray pattern
- Adjustable spray angle*
- *(Only by serviceable professional installer)
- Mounting hardware included

FLOW

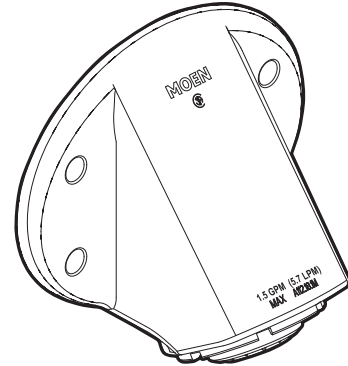
- Designed to deliver 1.5 gpm (5.7 L/min) MAX at 80 psi;
1.1 gpm (4.2 L/min)MIN at 45 psi

STANDARDS

- Designed and manufactured to comply with the requirements of: ASME A112.18.1/CSA B125.1 and all requirements referenced therein

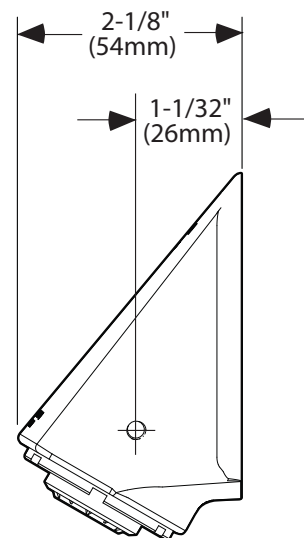
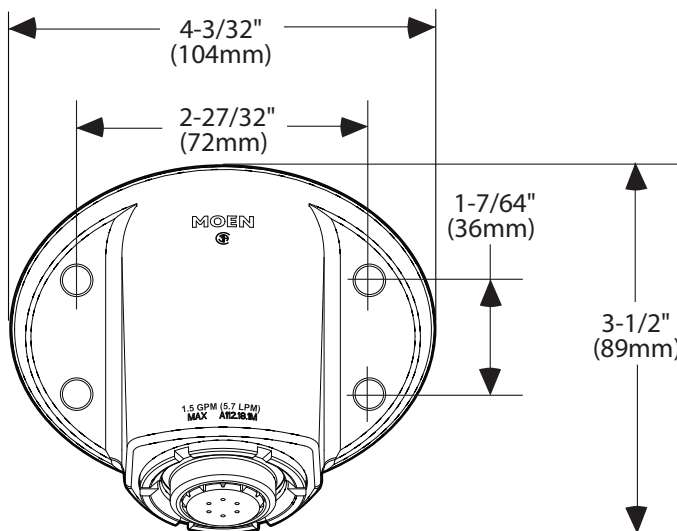
WARRANTY

- Warranted for 5 years against material or manufacturing defects



VANDAL PROOF SHOWERHEAD

Model: 8290EP15



CRITICAL DIMENSIONS

(DO NOT SCALE)